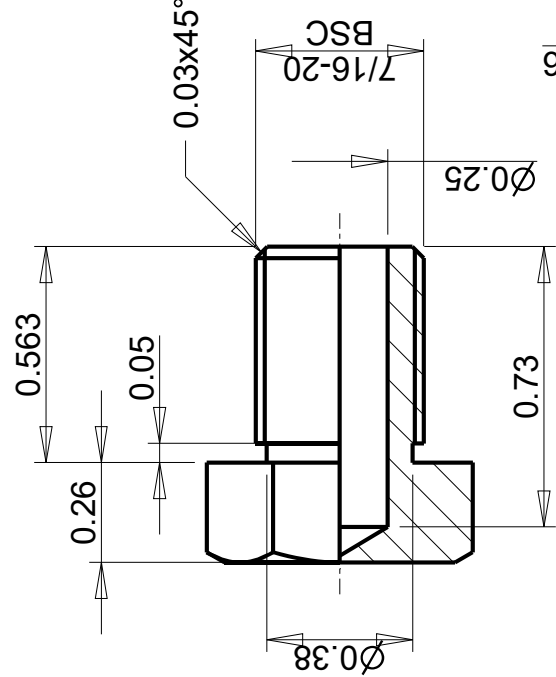
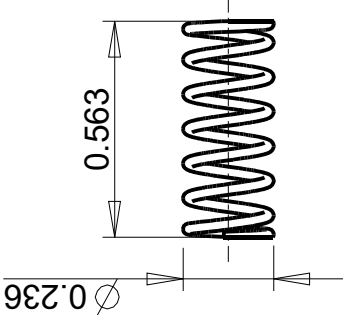


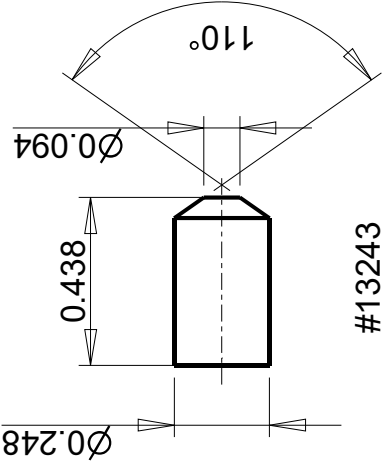
#13244
Plunger housing
Material: Brass
Dull nickel finish



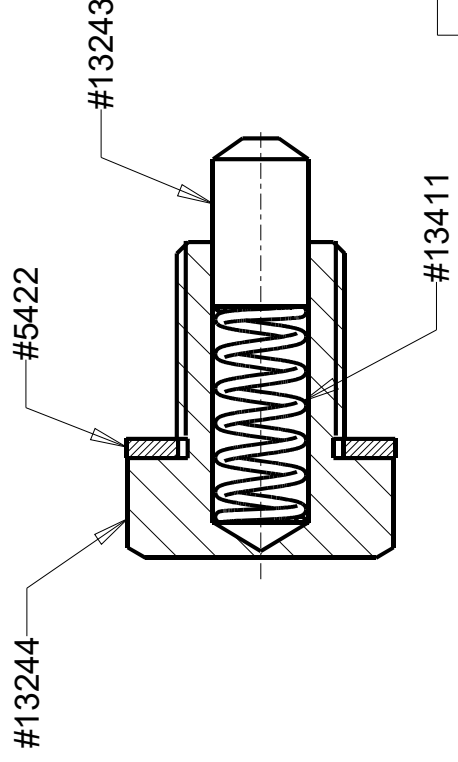
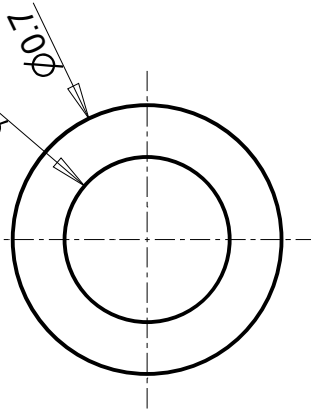
#13243
Plunger
Material: Steel
Harden



#13411
Spring, plunger
Material: $\varnothing 0.028$ spring wire
(6) Active coils



#5422
Washer, plunger housing
Material: fiberboard, red
0.05" thick



Douglas Kephart
1098 Smithbridge Rd.
Glen Mills, PA 19342-1206
USA

TITLE: Plunger assembly, shift cam drum

MODEL: 4-speed 1932-38 Douglas motorcycle

MATERIAL: -
DRAWN BY: DSK 26Feb22



SHEET 1/1
SCALE 2:1
REVISION: A 26Feb22
PART No.: 13244