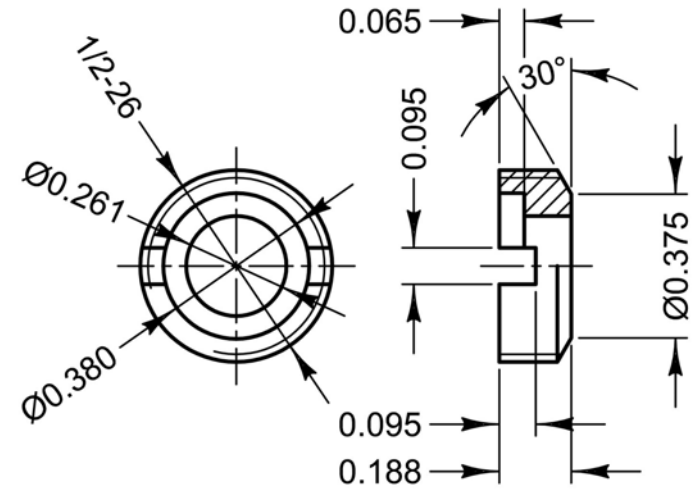
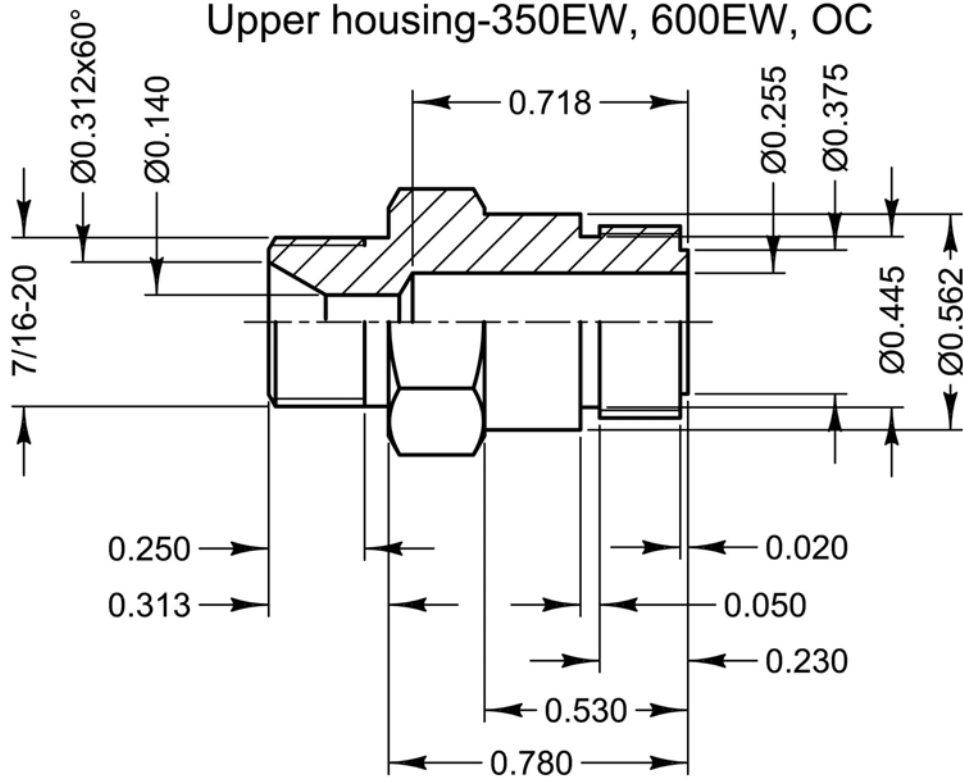
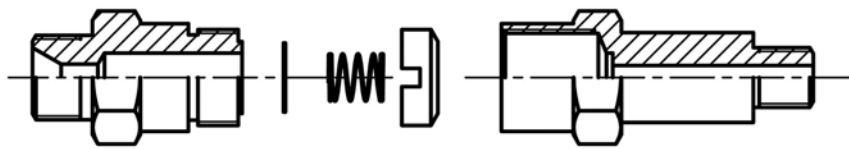


Upper housing-350EW, 600EW, OC



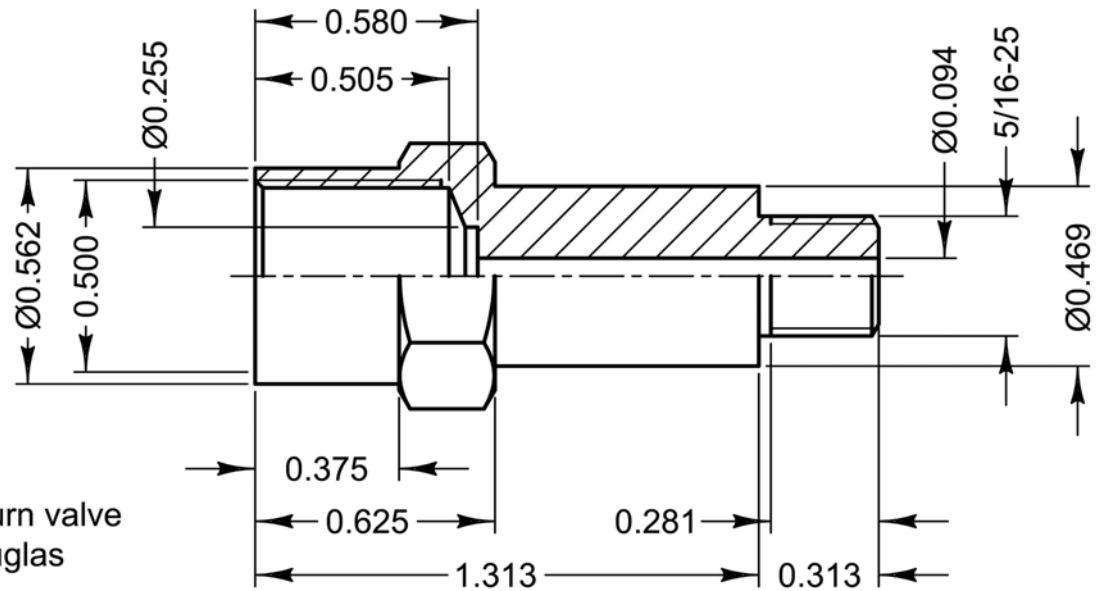
Cage



350EW



600EW, OC



Lower housing-350EW

Non-return valve  
F28 Douglas

D. Kephart  
06FEB05  
05JUN07, revised for 350EW